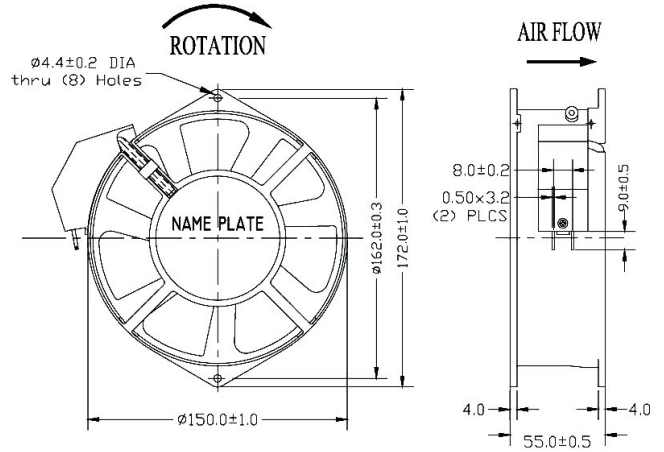


External Dimensions



Frame: Aluminum Alloy
 Impeller: Plastic (UL: 94V-0)
 Motor Structure: Shaded Pole Induction Motor.
 Motor Protection: Impedance Protect.
 Lead wire: UL 1015 AWG22
 OPERATING TEMP*: -10°C~70°C
 *: -10°C~60°C for fans with sleeve/ball combination bearings.

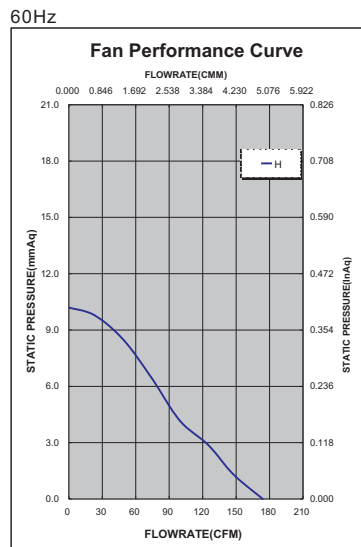
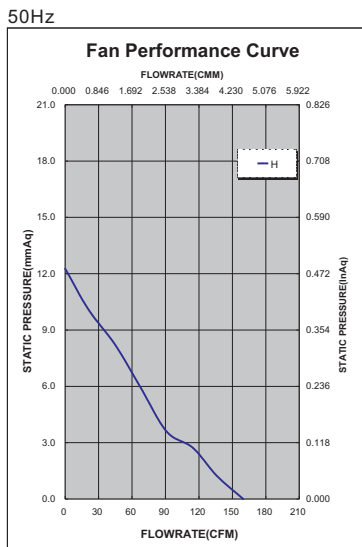
Specifications(Nominal)

*: Noise is measured at the distance of one (1) meter from the axis of intake.

Bearing type: ◎=Ball ※=Sleeve ○=1B1S ●=Hypro bearing

Frame size (mm)	Model No.	Bearing System Type	Volt. (VAC)	Freq. (Hz)	Current (A)	Power (W)	Rated Speed (rpm)	Maximum AirFlow (CMM)	Maximum AirFlow (CFM)	Maximum Pressure (InAq)	Maximum Pressure (mmAq)	*Noise Level (dB/A)	Weight (g)
162x150x55	AX15552HB	◎	230	50/60	0.25/0.22	36.00/33.00	2700/3000	4.528/4.924	160.0/174.0	0.483/0.402	12.268/10.210	52.0/56.0	890

Specifications subject to change without notice.



*Safety approvals

				
✓	✓		✓	✓