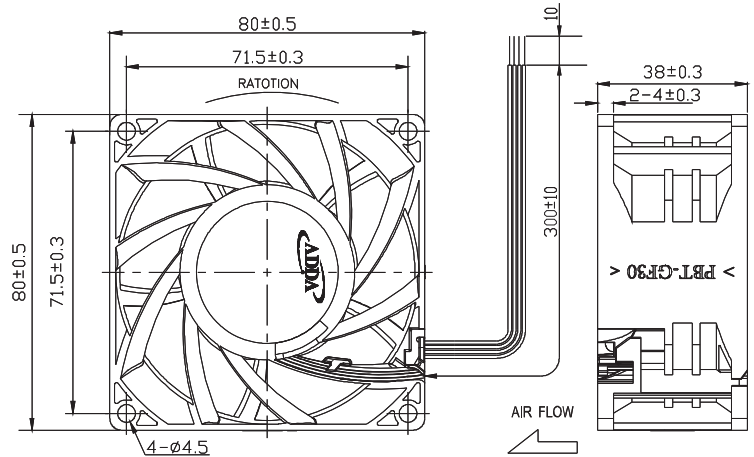




AS8038(5) SERIES

External Dimensions



Frame:Plastic(UL:94V-0)
 Impeller:Plastic(UL:94V-0)
 Lead wire:UL1430AWG24

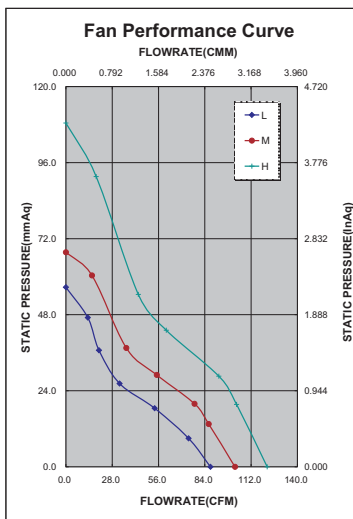
Specifications(Nominal)

*:Noise is measured at the distance of one (1) meter from the axis of intake.

Bearing type: ⊙=Ball ※=Sleeve ○=1B1S ●=Hypro bearing

Frame size (mm)	Model No.	Bearing System Type	Rated Voltage (VDC)	Current (A)	Power (W)	Rated Speed (rpm)	Maximum AirFlow (CMM)	Maximum AirFlow (CFM)	Maximum Pressure (InAq)	Maximum Pressure (mmAq)	*Noise Level (dB/A)	Weight (g)
80x80x38	AS08012LB385BB1	⊙	12	1.15	13.80	12000	2.475	87.403	2.304	58.530	64.6	
	AS08012MB385BB1	⊙	12	1.70	20.40	14000	2.896	102.281	2.750	69.840	68.3	208.0
	AS08012HB385BB1	⊙	12	2.34	28.08	16000	3.446	121.689	4.393	111.590	71.8	

Specifications subject to change without notice.



*Motor protective circuit and third lead wire functions

0	1	2	3	4	6	7	8	9	A	B
	✓	✓	✓							✓

*Safety approvals

✓	✓	✓		✓