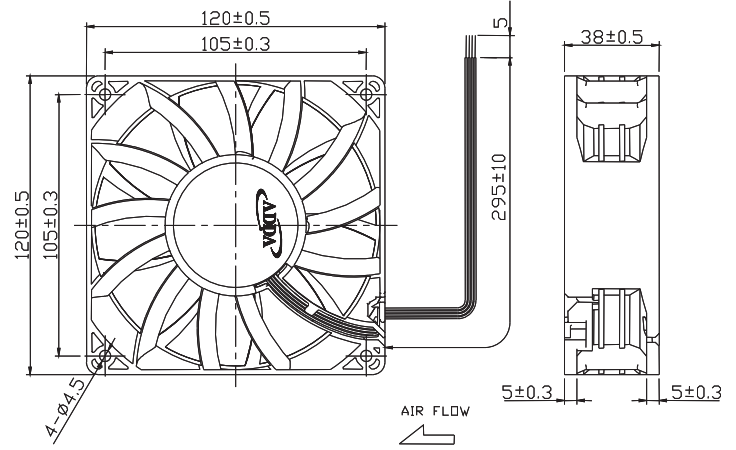




AS12038 SERIES

External Dimensions



Frame:Plastic(UL:94V-0)
 Impeller:Plastic(UL:94V-0)
 Lead wire:UL 1430AWG22\24

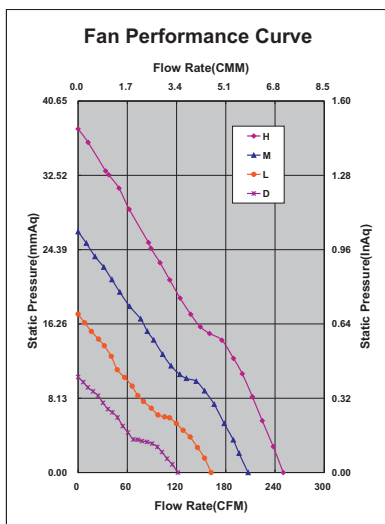
Specifications(Nominal)

*:Noise is measured at the distance of one (1) meter from the axis of intake.

Bearing type: ◎=Ball ※=Sleeve ○=1B1S ●=Hypro bearing

Frame size (mm)	Model No.	Bearing System Type	Rated Voltage (VDC)	Current (A)	Power (W)	Rated Speed (rpm)	Maximum AirFlow (CMM)	Maximum AirFlow (CFM)	Maximum Pressure (InAq)	Maximum Pressure (mmAq)	*Noise Level (dB/A)	Weight (g)
120x120x38	AS12012DB389B00	◎	12	0.60	7.20	3000	3.444	121.620	0.412	10.460	49.1	375.0
	AS12012LB389B00	◎	12	1.30	15.60	4000	4.589	162.050	0.683	17.340	56.9	
	AS12012MB389B00	◎	12	2.30	27.60	5000	5.868	207.230	1.038	26.360	62.6	
	AS12012HB389B00	◎	12	3.70	44.40	6000	7.080	250.020	1.480	37.590	68.6	
	AS12024DB389B00	◎	24	0.35	8.40	3000	3.444	121.620	0.412	10.460	49.1	
	AS12024LB389B00	◎	24	0.65	15.60	4000	4.589	162.050	0.683	17.340	56.9	
	AS12024MB389B00	◎	24	1.05	25.20	5000	5.868	207.230	1.038	26.360	62.6	
	AS12024HB389B00	◎	24	1.75	42.00	6000	7.080	250.020	1.480	37.590	68.6	
	AS12048DB389B00	◎	48	0.20	9.60	3000	3.444	121.620	0.412	10.460	49.1	
	AS12048LB389B00	◎	48	0.35	16.80	4000	4.589	162.050	0.683	17.340	56.9	
	AS12048MB389B00	◎	48	0.55	26.40	5000	5.868	207.230	1.038	26.360	62.6	
	AS12048HB389B00	◎	48	0.85	40.80	6000	7.080	250.020	1.480	37.590	68.6	

Specifications subject to change without notice.



*Motor protective circuit and third lead wire functions

0	1	2	3	4	6	7	8	9	A	B
		✓	✓							✓

*Safety approvals

✓	✓		✓	✓