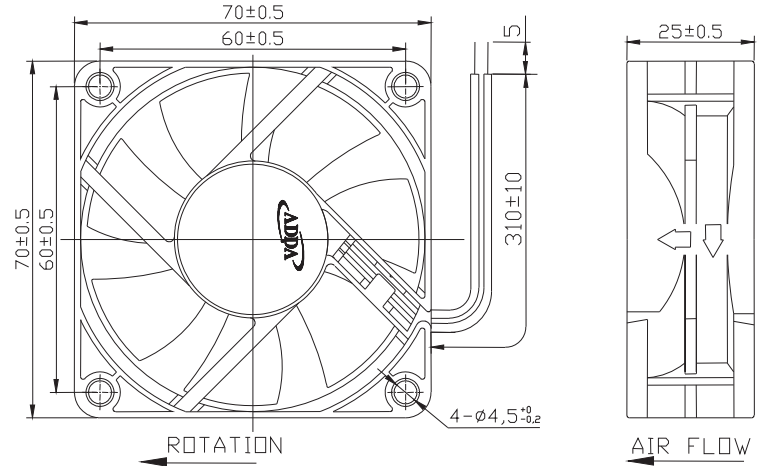




# AQ7025 SERIES

## External Dimensions



Frame:Plastic(UL:94V-0)  
 Impeller:Plastic(UL:94V-0)  
 Lead wire:UL1007AWG24

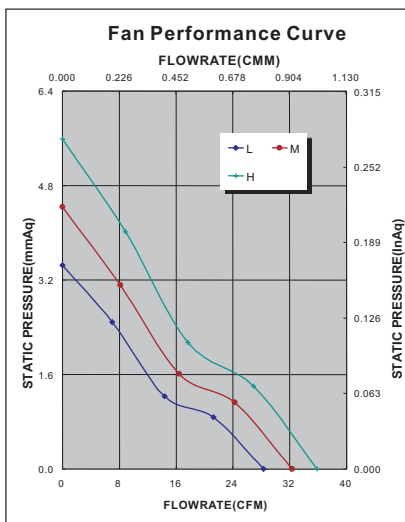
## Specifications(Nominal)

\*:Noise is measured at the distance of one (1) meter from the axis of intake.

Bearing type: ◎=Ball ※=Sleeve ○=1B1S ●=Hypro bearing

Frame size (mm)	Model No.	Bearing System Type	Rated Voltage (VDC)	Current (A)	Power (W)	Rated Speed (rpm)	Maximum AirFlow (CMM)	Maximum AirFlow (CFM)	Maximum Pressure (InAq)	Maximum Pressure (mmAq)	*Noise Level (dB/A)	Weight (g)
70x70x25	AQ0712LB-A70GL(T)	◎	12	0.10	1.20	3300	0.798	28.20	0.150	3.81	31.6	61.0
	AQ0712MB-A70GL(T)	◎	12	0.12	1.44	3800	0.914	32.30	0.176	4.47	33.6	
	AQ0712HB-A70GL(T)	◎	12	0.18	2.16	4200	1.005	35.50	0.217	5.51	38.0	

Specifications subject to change without notice.



\*Motor protective circuit and third lead wire functions

0	1	2	3	4	6	7	8	9	A	B
✓					✓					

\*Safety approvals

				✓