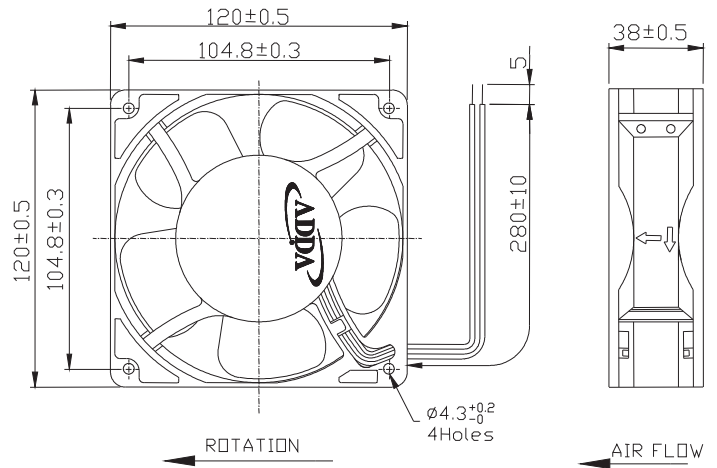




AQ12038 SERIES



External Dimensions



Frame:Plastic(UL:94V-0)
 Impeller:Plastic(UL:94V-0)
 Lead wire:UL1007AWG24

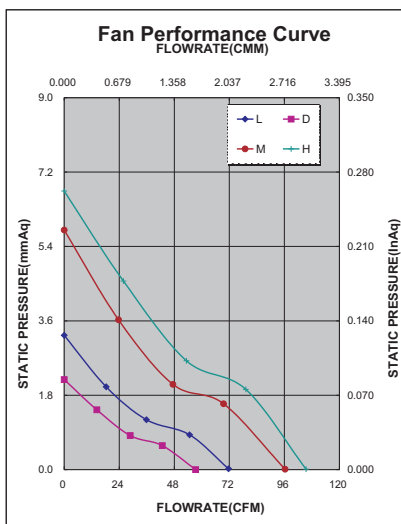
Specifications(Nominal)

*:Noise is measured at the distance of one (1) meter from the axis of intake.

Bearing type: ◎=Ball ※=Sleeve ○=1B1S ●=Hypro bearing

Frame size (mm)	Model No.	Bearing System Type	Rated Voltage (VDC)	Current (A)	Power (W)	Rated Speed (rpm)	Maximum AirFlow (CMM)	Maximum AirFlow (CFM)	Maximum Pressure (InAq)	Maximum Pressure (mmAq)	*Noise Level (dB/A)	Weight (g)
120x120x38	AQ1212DB-F51(FN)	◎	12	0.11	1.32	1500	1.621	57.292	0.085	2.159	28.4	290.0
	AQ1212LB-F51(FN)	◎	12	0.19	2.28	1950	2.027	71.635	0.128	3.251	36.2	
	AQ1212MB-F51(FN)	◎	12	0.33	3.96	2540	2.725	96.300	0.228	5.791	45.0	
	AQ1212HB-F51(FN)	◎	12	0.45	5.40	2800	2.984	105.461	0.265	6.731	46.7	
	AQ1224DB-F51(FN)	◎	24	0.08	1.92	1500	1.621	57.292	0.085	2.159	28.4	
	AQ1224LB-F51(FN)	◎	24	0.12	2.88	1950	2.027	71.635	0.128	3.251	36.2	
	AQ1224MB-F51(FN)	◎	24	0.19	4.56	2540	2.725	96.300	0.228	5.791	45.0	
	AQ1224HB-F51(FN)	◎	24	0.24	5.76	2800	2.984	105.461	0.265	6.731	46.7	
	AQ1248LB-F51(FN)	◎	48	0.06	2.88	1950	2.027	71.635	0.128	3.251	36.2	
	AQ1248MB-F51(FN)	◎	48	0.10	4.80	2540	2.725	96.300	0.228	5.791	45.0	
AQ1248HB-F51(FN)	◎	48	0.18	8.64	2800	2.984	105.461	0.265	6.731	46.7		

Specifications subject to change without notice.



*Motor protective circuit and third lead wire functions

0	1	2	3	4	6	7	8	9	A	B
	✓	✓	✓							

*Safety approvals

✓	✓		✓	✓