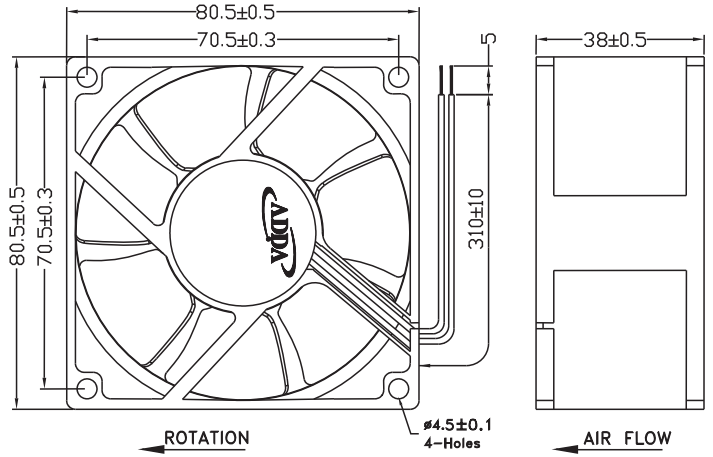


External Dimensions



Frame:Plastic(UL:94V-0)
 Impeller:Plastic(UL:94V-0)
 Lead wire:UL1007AWG24

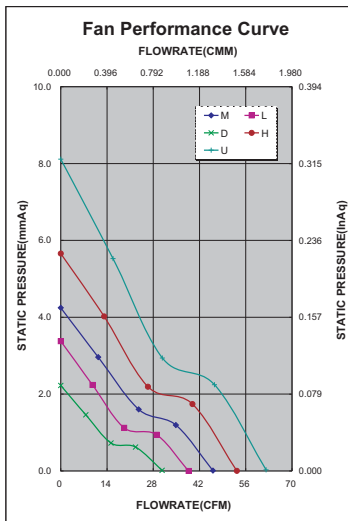
Specifications(Nominal)

*:Noise is measured at the distance of one (1) meter from the axis of intake.

Bearing type: ◎=Ball ※=Sleeve ○=1B1S ●=Hypro bearing

Frame size (mm)	Model No.	Bearing System Type	Rated Voltage (VDC)	Current (A)	Power (W)	Rated Speed (rpm)	Maximum AirFlow (CMM)	Maximum AirFlow (CFM)	Maximum Pressure (InAq)	Maximum Pressure (mmAq)	*Noise Level (dB/A)	Weight (g)
80x80x38	AD0812DB-F71(N)	◎	12	0.07	0.84	2000	0.867	30.657	0.087	2.209	25.5	120.0
	AD0812LB-F71(N)	◎	12	0.10	1.20	2500	1.095	38.725	0.132	3.352	32.3	
	AD0812MB-F71(N)	◎	12	0.17	2.04	3000	1.303	46.055	0.167	4.241	36.0	
	AD0812HB-F71(N)	◎	12	0.26	3.12	3500	1.508	53.311	0.222	5.638	39.9	
	AD0812UB-F71(N)	◎	12	0.34	4.08	4000	1.759	62.161	0.319	8.102	43.7	
	AD0824LB-F71(N)	◎	24	0.08	1.92	2500	1.095	38.725	0.132	3.352	32.3	
	AD0824MB-F71(N)	◎	24	0.10	2.40	3000	1.303	46.055	0.167	4.241	36.0	
AD0824HB-F71(N)	◎	24	0.14	3.36	3500	1.508	53.311	0.222	5.638	39.9		

Specifications subject to change without notice.



*Motor protective circuit and third lead wire functions

0	1	2	3	4	6	7	8	9	A	B
	✓	✓	✓							

*Safety approvals

✓	✓		✓	✓