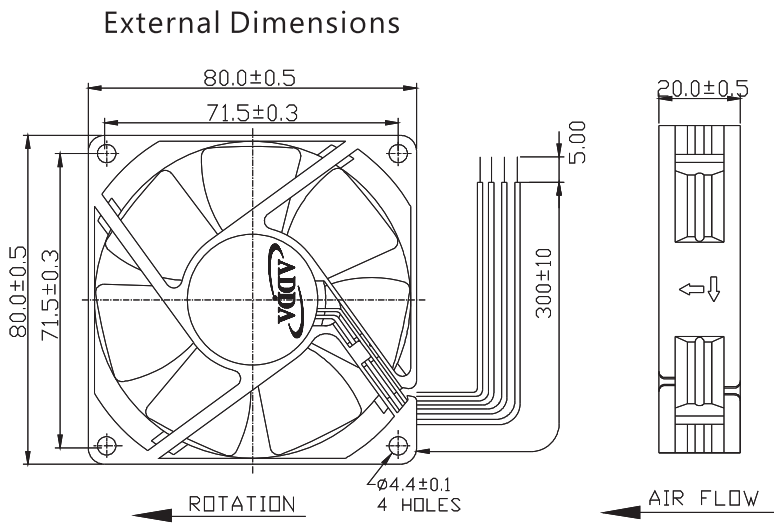


# AD8020 SERIES



Frame: Plastic(UL:94V-0)  
 Impeller: Plastic(UL:94V-0)  
 Lead wire: UL1061AWG26

## Specifications(Nominal)

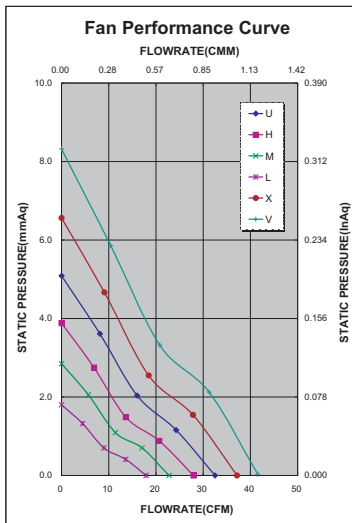
\*Noise is measured at the distance of one (1) meter from the axis of intake.

Bearing type: ⊙=Ball ※=Sleeve ○=1B1S ●=Hypro bearing

Frame size (mm)	Model No.	Bearing System Type	Rated Voltage (VDC)	Current (A)	Power (W)	Rated Speed (rpm)	Maximum AirFlow (CMM)	Maximum AirFlow (CFM)	Maximum Pressure (InAq)	Maximum Pressure (mmAq)	*Noise Level (dB/A)	Weight (g)
80x80x20	AD0812LB-C7B	⊙ ※ ●	12	0.09	1.08	2000	0.506	17.910	0.071	1.803	22.9	69.0
	AD0812MB-C7B	⊙ ※ ●	12	0.12	1.44	2500	0.644	22.775	0.112	2.844	28.4	
	AD0812HB-C7B	⊙ ※ ●	12	0.15	1.80	3000	0.792	28.000	0.150	3.810	33.0	
	AD0812UB-C7B	⊙ ※ ●	12	0.20	2.40	3500	0.919	32.500	0.200	5.080	37.5	
	AD0812XB-C7B	⊙ ※ ●	12	0.25	3.00	4000	1.051	37.172	0.258	6.553	41.0	
	AD0812VB-C7B	⊙ ※ ●	12	0.32	3.84	4500	1.176	41.573	0.327	8.305	45.0	

Specifications subject to change without notice.

The specification for bearing type is for reference only, for more bearing types information, please contact with your ADDA sales representative, thanks!!  
 (網頁上呈現產品軸承資訊均以2Ball為主, 若需其他產品資訊請聯絡您在ADDA的業務代表, 謝謝!!)



\*Motor protective circuit and third lead wire functions

0	1	2	3	4	6	7	8	9	A	B
								✓		✓

\*Safety approvals

✓	✓		✓	✓