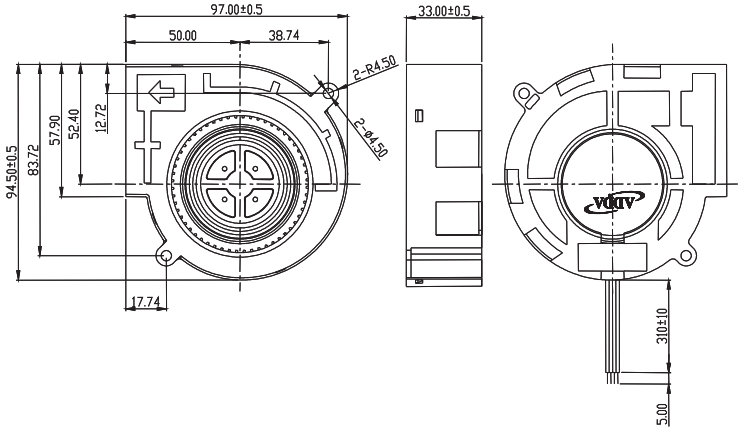
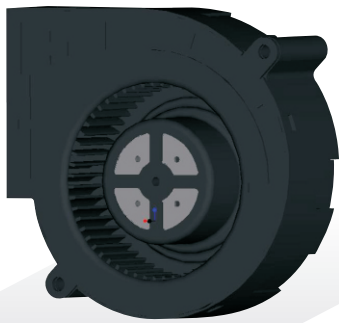


## External Dimensions



Frame:Plastic(UL:94V-0)  
 Impeller:Plastic(UL:94V-0)  
 Lead wire:UL1061AWG24

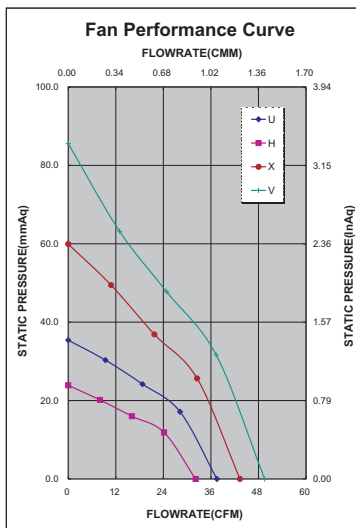
## Specifications(Nominal)

\*:Noise is measured at the distance of one (1) meter from the axis of intake.

Bearing type: ◎=Ball ※=Sleeve ○=1B1S ●=Hypro bearing

Frame size (mm)	Model No.	Bearing System Type	Rated Voltage (VDC)	Current (A)	Power (W)	Rated Speed (rpm)	Maximum AirFlow (CMM)	Maximum AirFlow (CFM)	Maximum Pressure (InAq)	Maximum Pressure (mmAq)	*Noise Level (dB/A)	Weight (g)
97x97x33	AB09712HB330B01	◎	12	0.70	8.40	3900	0.908	32.100	0.940	23.876	53.8	193.0
	AB09712UB330B01	◎	12	1.15	13.80	4600	1.061	37.500	1.390	35.306	58.0	
	AB09712XB330B01	◎	12	1.90	22.80	5300	1.225	43.300	2.350	59.690	62.8	
	AB09712VB330B01	◎	12	2.80	33.60	6000	1.400	49.500	3.360	85.344	63.6	

Specifications subject to change without notice.



\*Motor protective circuit and third lead wire functions

0	1	2	3	4	6	7	8	9	A	B
	✓	✓	✓					✓		✓

\*Safety approvals

				✓