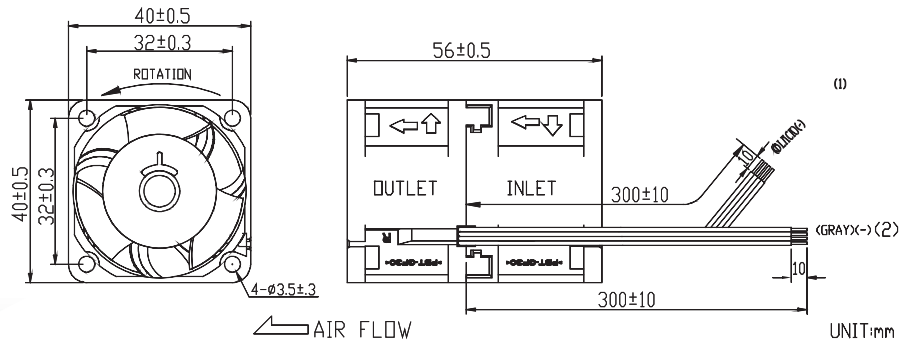




# AS4056 SERIES

## External Dimensions



Frame: Plastic(UL:94V-0)  
 Impeller: Plastic(UL:94V-0)  
 Lead wire: UL1061AWG26

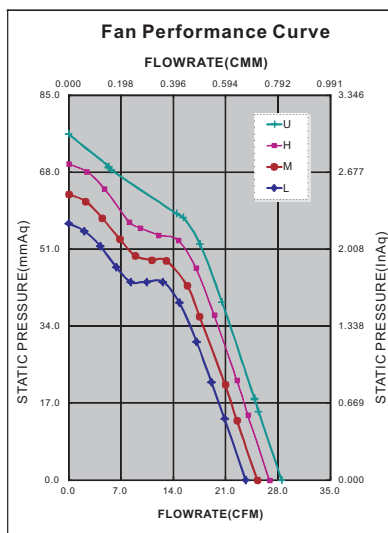
## Specifications(Nominal)

\*Noise is measured at the distance of one (1) meter from the axis of intake.

Bearing type: ◎=Ball ※=Sleeve ●=Hypro bearing

Frame size (mm)	Model No.	Bearing System Type	Rated Voltage (VDC)	Current (A)	Power (W)	Rated Speed (rpm)	Maximum AirFlow (CMM)	Maximum AirFlow (CFM)	Maximum Pressure (InAq)	Maximum Pressure (mmAq)	*Noise Level (dB/A)	Weight (g)
40x40x56	AS04012LB565BA1	◎	12	0.70	8.40	In:17000 Out:18000	0.671	23.684	2.228	56.588	62.4	103.0
	AS04012MB565BA1	◎	12	0.80	9.60	In:18000 Out:19000	0.715	25.257	2.482	63.050	65.1	
	AS04012HB565BA1	◎	12	0.90	10.80	In:19000 Out:20000	0.761	26.862	2.746	69.747	65.5	
	AS04012UB565BA1	◎	12	1.00	12.00	In:20000 Out:21000	0.807	28.515	3.006	76.344	66.5	

Specifications subject to change without notice.



\*Motor protective circuit and third lead wire functions

0	1	2	3	4	6	7	8	9	A	B
	✓	✓	✓							✓

\*Safety approvals

✓	✓		✓	✓